



MBI[®]

PATENTED



PB

PILE BREAKER

PB

PILE BREAKER

The PB is used in pillar construction and demolition to crush the concrete part of the pillar without damaging the steel reinforcements. In addition, its modular design allows a perfect adaptability of the tool to the specific size and shape of the pillars.

- The **unique design**, composed of cylinder modules and links, allows perfect fit with different pile shapes and sizes enabling great efficacy and high versatility on the job.

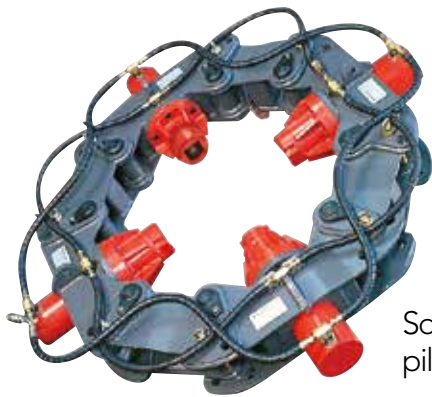
- The **different tip kits**, with different tip length, enable easy maintenance and perfect fit with the job.

- Its **lifting kit** allows the PB to be used with cranes, excavators or other construction machines.

- PB is available in light and heavy series, **dedicated to different piles dimensions**.



Round pile breaker

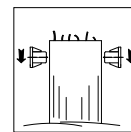


Square pile breaker

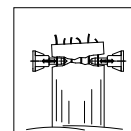
How does it work?



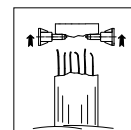
1 Position the PB around the pillar.



2 Activating the oilflow, PB crushes the concrete part without damaging the lower structure.

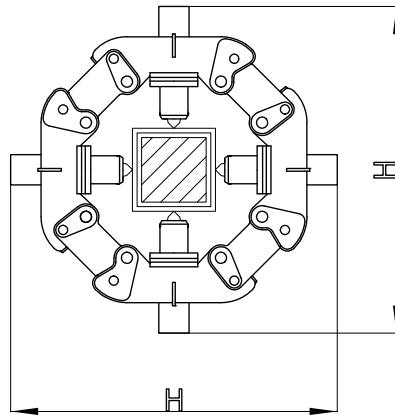
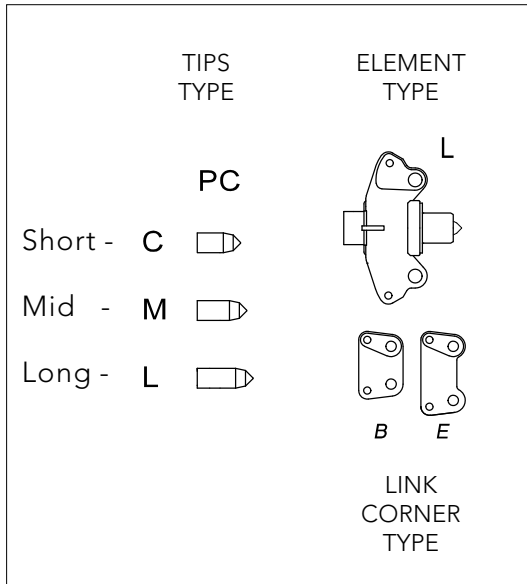


3 Lifting up, PB takes out the concrete and leaves the steel rods free.

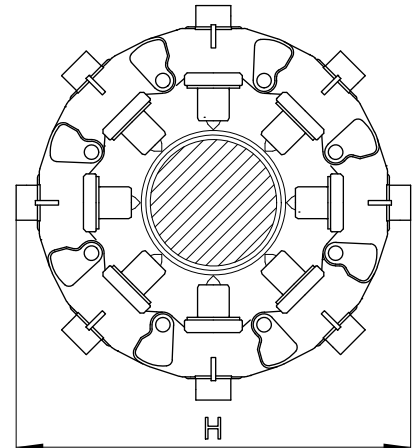


LIGHT SERIES

PILE BREAKER



PB CONFIGURATION
ELEMENTS + LINK CORNER



PB CONFIGURATION
WITH ELEMENTS ONLY

TECHNICAL DATA

BT.PBL.06

SIDE/DIAMETER PILE (mm) ± 10 mm	ROUND PILES										
	0 400	450	500	550	600	650	700	750	800	850	900
EXCAVATOR WEIGHT	t	10-15		10-15			15-20			15-20	
ELEMENTS	nr	6 L	6 L	7 L	7 L	7 L	8 L	8 L	8 L	9 L	9 L
TIP TYPE		M	C	L	M	C	L	M	C	L	M
TOOL WEIGHT	kg	1000		1160			1330			1490	
HYDRAULIC WORKING PRESSURE	bar	320-350		320-350			320-350			320-350	
OIL FLOW	l/min	150		175			200			225	
DIMENSION H	mm	1700		1900			2050			2200	

SQUARED PILES / ROUND PILES				
0 250	300	350 400	450	500
10-15		10-15		
4L+4B	4L+4B	4L+4E	4L+4E	4L+4E
M	C	L	M	C
700		800		
320-350		320-350		
100		100		
1650		1775		

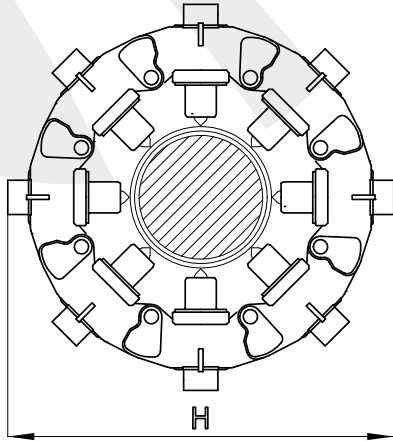
We are constantly improving our products and therefore we reserve the right to change the design and technical specifications without prior notice.



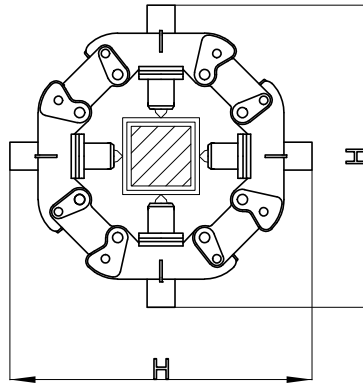


HEAVY SERIES

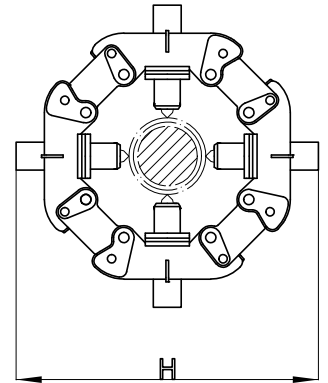
PILE BREAKER



PB CONFIGURATION WITH ELEMENTS ONLY



PB CONFIGURATION - SQUARE AND ROUND ELEMENTS + LINK CORNER



TIPS TYPE	ELEMENT TYPE
Short - C	 HP F G LINK CORNER TYPE
Mid - M	
Long - L	
PC	

TECHNICAL DATA

BT.PBH.06

SIDE/DIAMETER PILE (mm) ± 10 mm	SQUARED / ROUND PILES						
	0-500	500-550	550-600	650-700	700-750	750-800	
EXCAVATOR WEIGHT	t	16-20					
ELEMENTS	nr	4HP + 4F	4HP + 4F	4HP + 4F	4HP + 4G	4HP + 4G	
TIP TYPE		L	M	C	L	M	C
TOOL WEIGHT	kg	1600					
HYDRAULIC WORKING PRESSURE	bar	320-350					
OIL FLOW	l/min	100					
DIMENSION H	mm	2300			2480		

TECHNICAL DATA

BT.PBH.06

SIDE/DIAMETER PILE (mm) ± 10 mm	ROUND PILES																		
	750-800	850	900	900-950	1000	1050	1100-1150	1200	1250	1250-1300	1350	1400	1450	1500	1550-1600	1650-1700	1750	1800	
EXCAVATOR WEIGHT	t	20-25			20-25			25-30			25-30			30-35			30-35		
ELEMENTS	nr	8HP	8HP	8HP	9HP	9HP	9HP	10HP	10HP	10HP	11HP	11HP	11HP	12HP	12HP	12HP	13HP	13HP	13HP
TIP TYPE		L	M	C	L	M	C	L	M	C	L	M	C	L	M	C	L	M	C
TOOL WEIGHT	kg	2400			2700			3000			3300			3600			3900		
HYDRAULIC WORKING PRESSURE	bar	320-350			320-350			320-350			320-350			320-350			320-350		
OIL FLOW	l/min	200			225			250			275			300			325		
DIMENSION H	mm	2500			2700			2900			3050			3250			3420		

We are constantly improving our products and therefore we reserve the right to change the design and technical specifications without prior notice.

